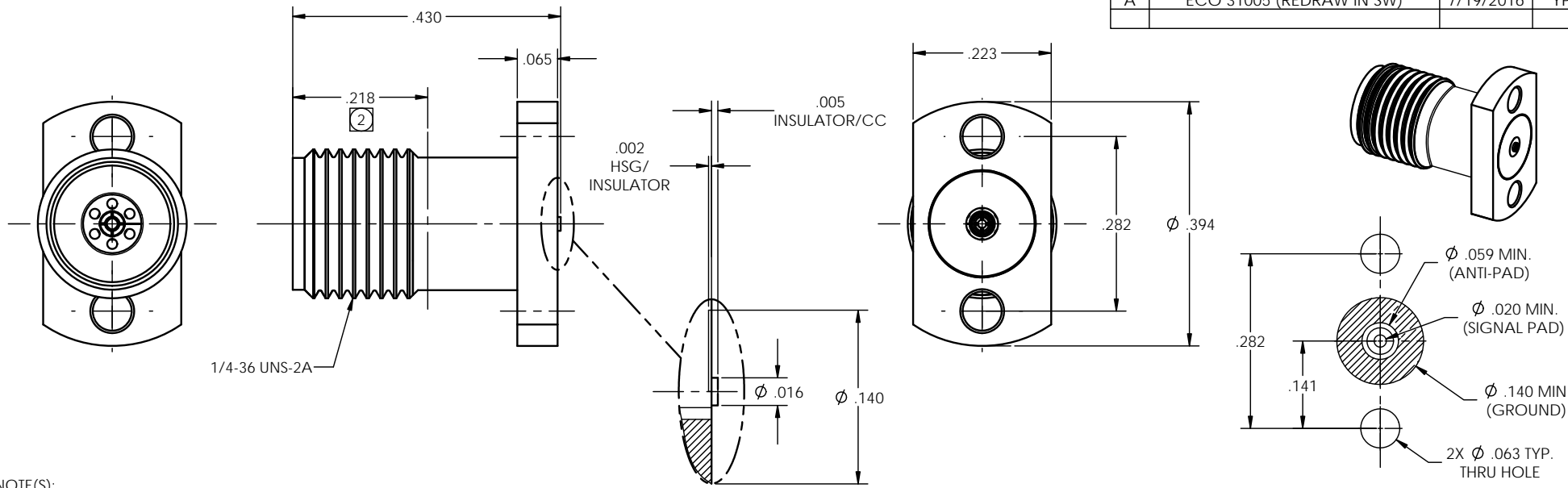


REVISIONS			
REV.	DESCRIPTION	DATE	BY
-	ECO 30751 (INITIAL RELEASE)	5/23/16	DKN
A	ECO 31005 (REDRAW IN SW)	7/19/2016	YP



NOTE(S):  
 1. These characteristics are typical and for reference.  
 2. Mounting screws must not extend beyond this line.

DETAIL A  
SCALE 16 : 1

RECOMMENDED PCB LAYOUT FOOTING

**MATERIAL(S) :**

**ELECTRICAL(S) :**

**MECHANICAL(S) :**

**ENVIRONMENTAL(S) :**

Body:  
303 Stainless Steel  
Center Conductor:  
BeCu Alloy C17300  
Insulator:  
PCTFE, white

Impedance: 50 Ohms Nominal  
 Frequency Range: DC to 40.0 GHz  
 VSWR: DC ~ 27GHz: 1.10 max  
 27 ~ 40GHz: 1.15 max  
 Insertion Loss: 0.25 dB max  
 Working Voltage: 500 Vrms max @ Sea Level  
 Dielectric Withstand Voltage: 500 Vrms min.  
 Insulation Resistance: 5000 MegOhms min.  
 Contact Resistance:  
 Initial:  
 Center Contact: 3.0 Milliohms max  
 Outer Contact: 2.0 Milliohms max

Mating Characteristics:  
 Interface per MIL-STD-348  
 Force to Engage & Disengage:  
 Torque: 2 inch-pounds max  
 Longitudinal Force: NA  
 Connector Durability:  
 500 Cycles min.  
 Permeability: Less than 2.0 mu.  
 Center Contact Retention:  
 Axial Force: 6 pounds min.  
 Radial Force: NA

Temperature Range: -65°C to +165°C  
 Moisture Resistance:  
 MIL-STD-202, Method 103, Test Condition B  
 Corrosion:  
 MIL-STD-202, Method 101, Test Condition B  
 Vibration:  
 MIL-STD-202, Method 204, Test Condition A  
 Shock:  
 MIL-STD-202, Method 213, Test Condition 1

**FINISH(ES) :**

Body:  
Passivated  
Center Conductor:  
Cu 0.75um; Ni 2.50um; Au 0.75um

**APPLICABLE CARLISLE IT DOCUMENTS**

WORK STANDARD	PROD INSTRUC	ASSY INSTRUC
NA	NA	NA

**NOTICE**  
 THIS DRAWING EMBODIES A CONFIDENTIAL PROPRIETARY DESIGN ORIGINATED BY CARLISLE INTERCONNECT TECHNOLOGIES & ALL DESIGN, MANUFACTURING, REPRODUCTION, USE & SALE RIGHTS REGARDING THE SAME ARE EXPRESSLY RESERVED. IT IS SUBMITTED UNDER A CONFIDENTIAL RELATIONSHIP FOR A SPECIFIED PURPOSE & THE RECIPIENT AGREES BY ACCEPTING THIS DRAWING NOT TO SUPPLY OR DISCLOSE ANY INFORMATION REGARDING IT TO ANY UNAUTHORIZED PERSON TO INCORPORATE IN OTHER PROJECTS ANY SPECIAL FEATURES PECULIAR TO THIS DESIGN. ALL PATENT RIGHTS HERETO ARE EXPRESSLY RESERVED BY CARLISLE INTERCONNECT TECHNOLOGIES, CERRITOS, CALIFORNIA 90703

**TOLERANCES AND NOTES**

- EXCEPT AS NOTED  
 DIMENSIONS ARE IN INCHES.  
 LINEAR  $XX \pm .015$  ANGULAR  $\pm 1/2^\circ$   
 FRACTION  $\pm 1/32$
- MACHINE FINISH:  $\sqrt{}$  RMS
  - BREAK ALL SHARP EDGES .003 MAX.
  - MACHINED FILLETS, .005 MAX.
  - MACHINED SURFACES SQUARE TO RESPECTIVE AXIS WITHIN .005 INCHES PER INCH.
  - MACHINED DIAMETERS CONCENTRIC WITHIN .002 TLR.
  - DIMENSIONS TO BE MET BEFORE PLATING.
  - CHAMFER ALL THREADS 45°.
  - THREADS PER H-28
  - REMOVE FRAVED EDGES ON TEELON.
  - REMOVE ALL BURRS.

**MATERIAL**

APPROVAL INITIALS	DATE
DRAWN BY YPHAN	07.13.16
CHECKED BY	-
TEST ENGR	-
QUALITY	-
DESIGN ENG P.V.	05.25.16
MFG ENGR	-
ECO APPRV P.V.	08.11.16

**SPECIFICATION**

SPECIFICATION		PROCUREMENT
<b>CARLISLE</b> Interconnect Technologies Cerritos, CA 90703		
TITLE: 2.92mm FEMALE 2 HOLE FLANGE POST CONTACT		
SCALE: 8:1	SUB-DIRECTORY/OUTLINE/	SHEET 1 OF 1
SIZE: C	CAGE CODE: 30990	DRAWING NO.: 4K99981010
REV.:		1