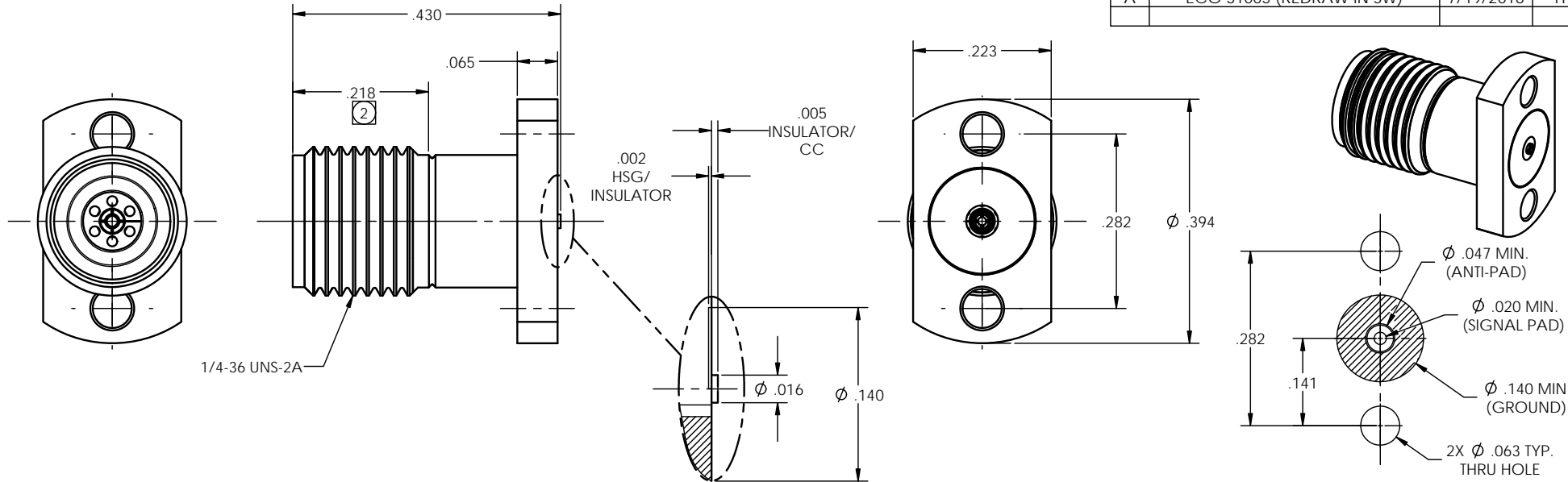


REVISIONS			
REV.	DESCRIPTION	DATE	BY
-	ECO 30751 (INITIAL RELEASE)	5/23/16	DKN
A	ECO 31005 (REDRAW IN SW)	7/19/2016	YP



NOTE(S):
 1. These characteristics are typical and for reference.
 2. Mounting screws must not extend beyond this line.

DETAIL A
SCALE 16 : 1

RECOMMENDED PCB LAYOUT FOOTING

MATERIAL(S):	ELECTRICAL(S):	MECHANICAL(S):	ENVIRONMENTAL(S):
Body: 303 Stainless Steel Center Conductor: BeCu Alloy C17300 Insulator: PCTFE, white	Impedance: 50 Ohms Nominal Frequency Range: DC to 34.0 GHz VSWR: 1.25 max Insertion Loss: ≤0.35 dB at 34GHz Working Voltage: 500 Vrms max @ Sea Level Dielectric Withstand Voltage: 1,000 Vrms min. Insulation Resistance: 5000 MegOhms min. Contact Resistance: Initial: Center Contact: 3.0 Milliohms max Outer Contact: 2.0 Milliohms max	Mating Characteristics: Interface per MIL-STD-348 Force to Engage & Disengage: Torque: 2 inch-pounds max Longitudinal Force: NA Connector Durability: 500 Cycles min. Permeability: Less than 2.0 mu. Center Contact Retention: Axial Force: 6 pounds min. Radial Force: NA	Temperature Range: -65°C to +165°C Thermal Shock: MIL-STD-202, Method 107, Test Condition B Moisture Resistance: MIL-STD-202, Method 103, Test Condition B Corrosion: MIL-STD-202, Method 101, Test Condition B Shock: MIL-STD-202, Method 213, Test Condition 1

FINISH(ES):	APPLICABLE CARLISLE IT DOCUMENTS			TOLERANCES AND NOTES EXCEPT AS NOTED DIMENSIONS ARE IN INCHES. LINEAR .XX ± .015 ANGULAR ± 1/2° FRACTION ± 1/32	MATERIAL		SPECIFICATION		PROCUREMENT	
	WORK STANDARD	PROD INSTRUC	ASSY INSTRUC		APPROVAL INITIALS	DATE	TITLE			
Body: Passivated Center Conductor: Cu 0.75um; Ni 2.50um; Au 0.75um	NA	NA	NA	1. MACHINE FINISH: √RMS 2. BREAK ALL SHARP EDGES .003 MAX. 3. MACHINED FILLETS, .005 MAX. 4. MACHINED SURFACES SQUARE TO RESPECTIVE AXIS WITHIN .005 INCHES PER INCH. 5. MACHINED DIAMETERS CONCENTRIC WITHIN .002 TLR. 6. DIMENSIONS TO BE MET BEFORE PLATING. 7. CHAMFER ALL THREADS 45°. 8. THREADS PER H-28 9. REMOVE FRAVED EDGES ON TEELON. 10. REMOVE ALL BURRS.	YPHAN	07.13.16	CARLISLE Interconnect Technologies Cerritos, CA 90703		SHEET 1 OF 1	
							SCALE: 8:1 SUB-DIRECTORY/OUTLINE/	3.50mm FEMALE 2 HOLE FLANGE POST CONTACT		DRAWING NO. 4759981010
							SIZE: C CAGE CODE: 30990			REV. 1