

4

3

2

1

PART NO.	APPLICABLE NOTE(S)	PLATING THICKNESS, μ IN	# OF POSITIONS	CONFIGURATION AND PARTS LIST
CHBS02VL10	1	10	2	SHEET 1,2
CHBS02VL30	1	30	2	SHEET 1,2
CHBS02VL50	1	50	2	SHEET 1,2
CHBS04VL10	1	10	4	SHEET 1,3
CHBS04VL30	1	30	4	SHEET 1,3
CHBS04VL50	1	50	4	SHEET 1,3
CHBS06VL10	1	10	6	SHEET 1,4
CHBS06VL30	1	30	6	SHEET 1,4
CHBS06VL50	1	50	6	SHEET 1,4
CHBS08VL10	1	10	8	SHEET 1,5
CHBS08VL30	1	30	8	SHEET 1,5
CHBS08VL50	1	50	8	SHEET 1,5
CHBS10VL10	1	10	10	SHEET 1,6
CHBS10VL30	1	30	10	SHEET 1,6
CHBS10VL50	1	50	10	SHEET 1,6

REVISIONS			
REV.	DESCRIPTION	DATE	BY
A	ECO30257 (DESIGN CHG.)	02.16.16	HT
B	ECO 30570(UPDATE BODY C6290-2)	4/28/2016	YP
C	ECO 30711 (ADD WASHER)	05/23/16	HT

Note(s):
 ① Screws & washer to be packaged and shipped unassembled.

MATERIAL(S):

Body:
 Brass alloy, UNS No. C36000 per ASTM B 16.
 Ground Contact, H-Pins
 Beryllium Copper (BeCu)
 Standoff, Screw, Washer:
 Stainless Steel
 Insulator:
 LCP Vectra E130

ELECTRICAL(S):

Impedance: 50 Ohms Nominal
 Frequency Range: DC to 26 GHz
 VSWR: 1.15:1 MAX. from DC to 10.0 GHz
 1.25:1 MAX. from 10.0 to 20.0 GHz
 1.30:1 MAX. from 20.0 to 26.0 GHz
 Insertion Loss: .07 x Sqrt(F) (F in GHz)
 Working Voltage: 335 Vrms max @ Sea Level
 Test Voltage: 500 Vrms
 Insulation Resistance: 5000 MegOhms min.
 Contact Current: 1.2 A DC max.
 Contact Resistance:
 Center Contact: 35 m Ω
 Outer Contact: 10 m Ω

MECHANICAL(S):

Mating Characteristics:
 CORE HC Interface per CarlisleIT
 Force to Engage:
 4.0 Lbs Max.
 Connector Durability:
 20,000 Cycles min. @ 12 cycles/minute max
 Permeability: Less than 2.0 mu.

ENVIRONMENTAL(S):

Temperature Range: -65°C to +125°C
 Thermal Shock:
 MIL-STD-202, Method 107, Test Condition B
 Moisture Resistance:
 MIL-STD-202, Method 106, Insulation resistance at least 200 MegaOhms within 5 minutes after removal from humidity.
 Vibration:
 MIL-STD-202, Method 204, Test Condition A, except 5g Peak
 Shock:
 MIL-STD-202, Method 213, Test Condition I, except 10g Peak

FINISH(ES):

Body, Ground Contact, H-Pins:
 Gold plate per ASTM B-488 over Nickel underplate per SAE AMS-QQ-N-290.
 Standoff, Nut, Screw, Washer:
 Passivate per SAE AMS-2700 or per ASTM A-967, Nitric 1.

APPLICABLE CARLISLE IT DOCUMENTS

WORK STANDARD	PROD INSTRUC	ASSY INSTRUC
NA	NA	NA
-	-	-

NOTICE
 THIS DRAWING EMBODIES A CONFIDENTIAL PROPRIETARY DESIGN ORIGINATED BY CARLISLE INTERCONNECT TECHNOLOGIES & ALL DESIGN, MANUFACTURING, REPRODUCTION, USE & SALE RIGHTS REGARDING THE SAME ARE EXPRESSLY RESERVED. IT IS SUBMITTED UNDER A CONFIDENTIAL RELATIONSHIP FOR A SPECIFIED PURPOSE & THE RECIPIENT AGREES BY ACCEPTING THIS DRAWING NOT SUPPLY OR DISCLOSE ANY INFORMATION REGARDING IT TO ANY UNAUTHORIZED PERSON TO INCORPORATE IN OTHER PROJECTS ANY SPECIAL FEATURES PECULIAR TO THIS DESIGN. ALL PATENT RIGHTS HERETO ARE EXPRESSLY RESERVED BY CARLISLE INTERCONNECT TECHNOLOGIES, CERRITOS, CALIFORNIA 90703.

TOLERANCES AND NOTES
EXCEPT AS NOTED

- DIMENSIONS ARE IN INCHES.
 LINEAR .XX \pm .015 ANGULAR \pm 1/2°
 FRACTION \pm 1/32
- MACHINE FINISH: $\sqrt{3}$ RMS
 - BREAK ALL SHARP EDGES .003 MAX.
 - MACHINED FILLETS .005 MAX.
 - MACHINED SURFACES SQUARE TO RESPECTIVE AXIS WITHIN .005 INCHES PER INCH.
 - MACHINED DIAMETERS CONCENTRIC WITHIN .002 T.I.R.
 - DIMENSIONS TO BE MET BEFORE PLATING.
 - CHAMFER ALL THREADS 45°.
 - THREADS PER H-28
 - REMOVE FRAVED EDGES ON TEFLON.
 - REMOVE ALL BURRS.

MATERIAL		SPECIFICATION		PROCUREMENT	
APPROVAL	INITIALS	DATE	TITLE		REV.
			CARLISLE Interconnect Technologies Cerritos, CA 90703		
DRAWN BY	HT	12.14.15	CORE HC 2 TO 10 POSITIONS, VERTICAL, PCB CONNECTOR TO CABLE		
CHECKED BY	-	-	SCALE	SUB-DIRECTORY/ _OUTLINE/	SHEET 1 OF 8
TEST ENGR	-	-	6:1		
QUALITY	-	-	DESIGN ENG	H.T.	02.15.16
MFG. ENGR	-	-	SIZE	CAGE CODE	DRAWING NO.
ECO APPRV	H.T.	06.06.16	C	30990	CHBSXXVLXX

4

3

2

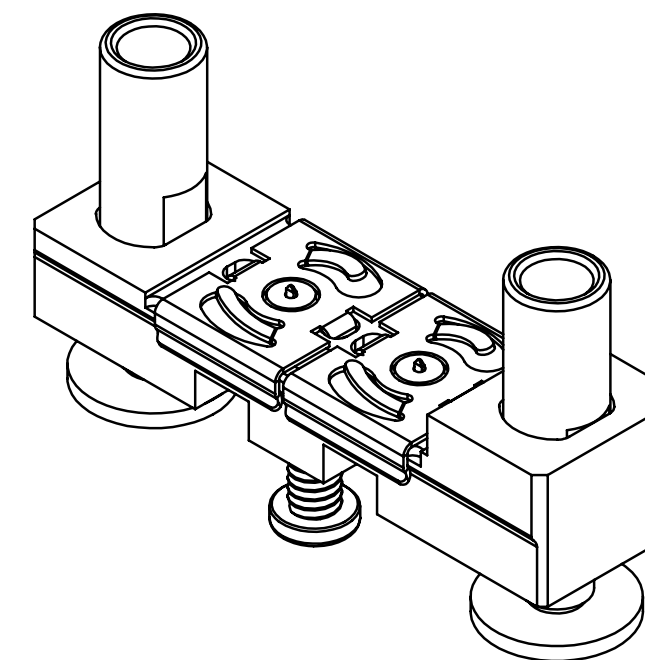
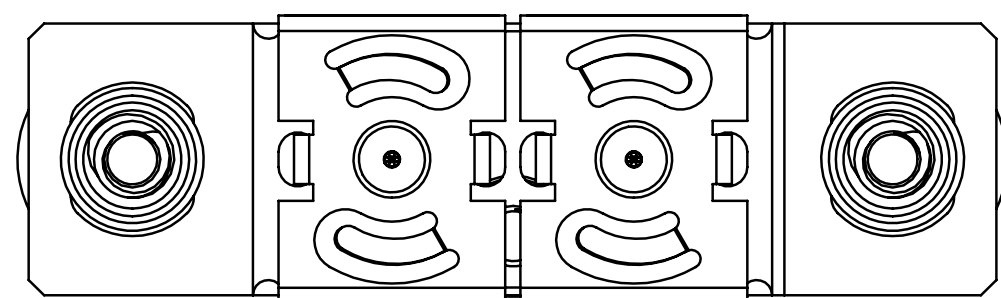
1

4

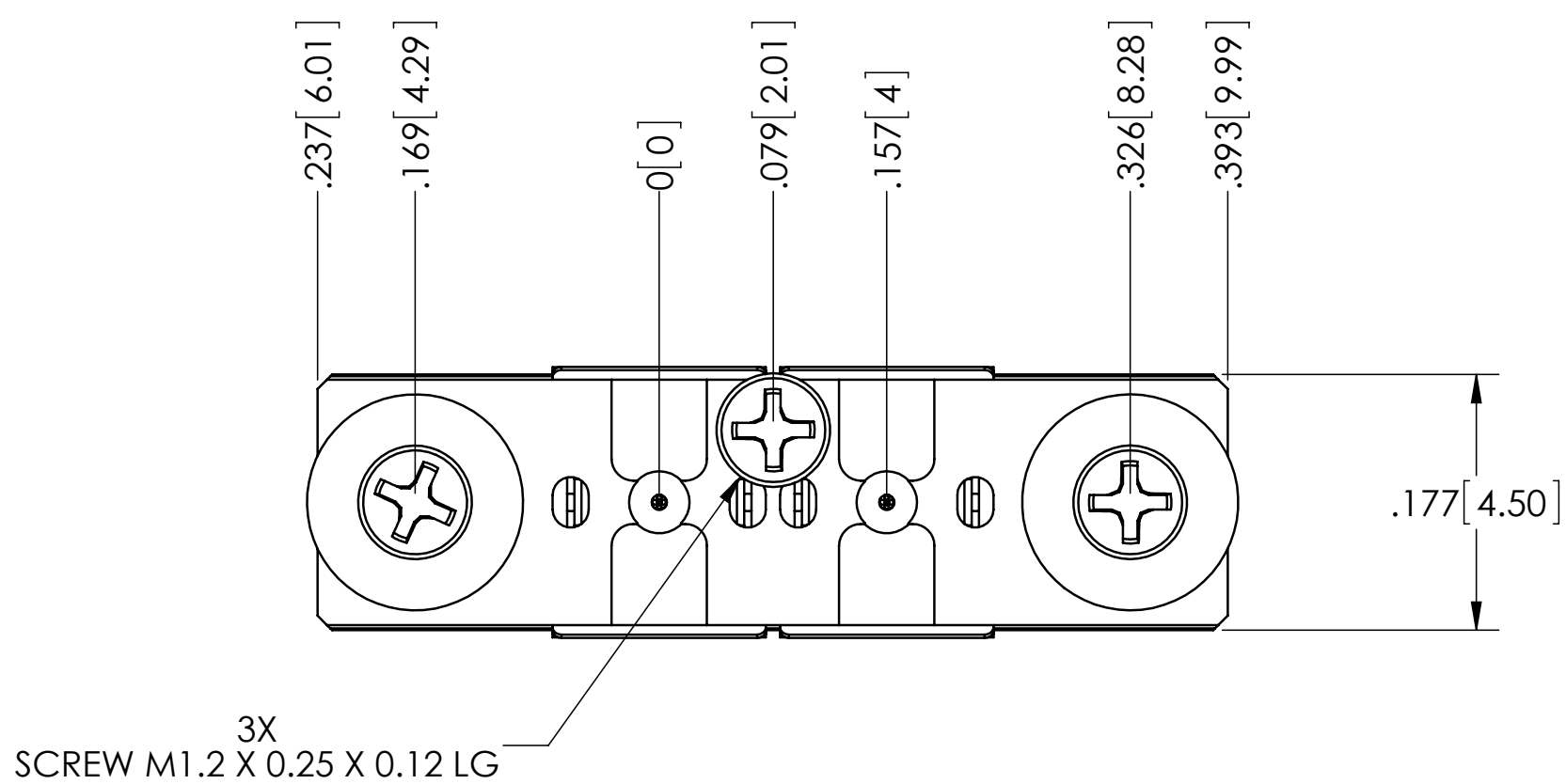
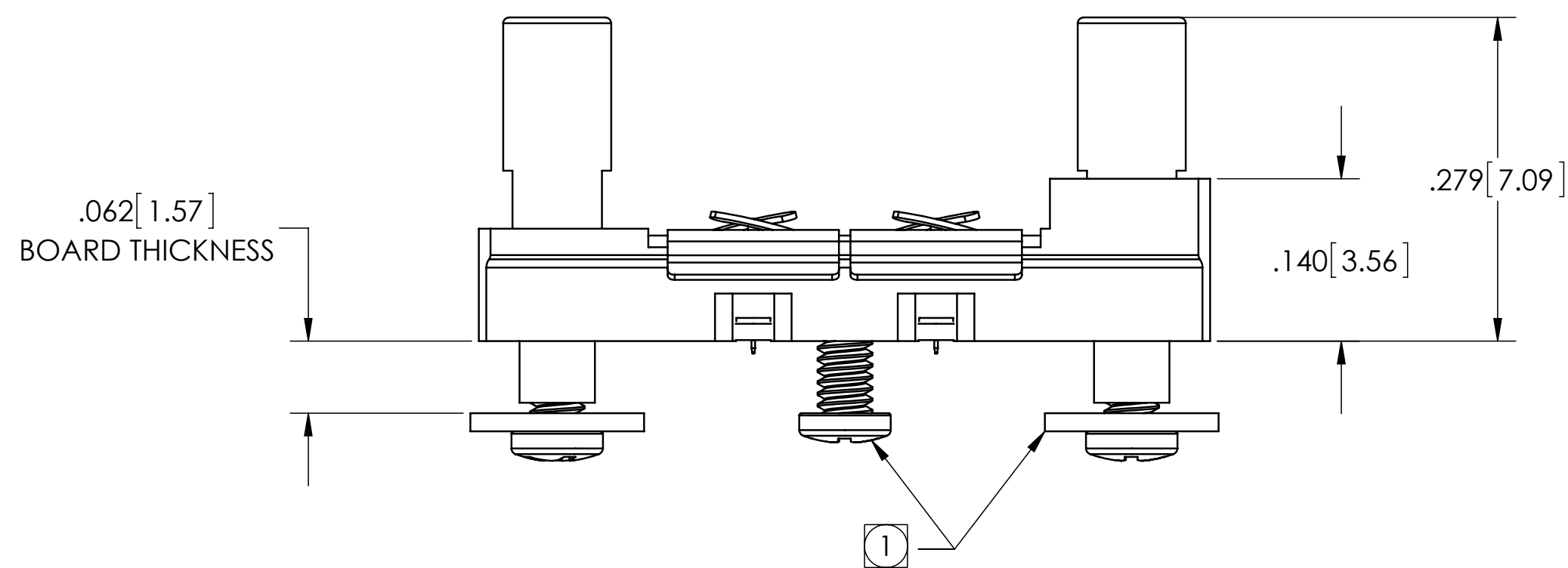
3

2

1



2 POSITION



SCALE	SUB-DIRECTORY/	SHEET 2 OF	8
6:1	_OUTLINE/		
SIZE	CAGE CODE	DRAWING NO.	REV.
C	30990	CHBSXXVLXX	C

4

3

2

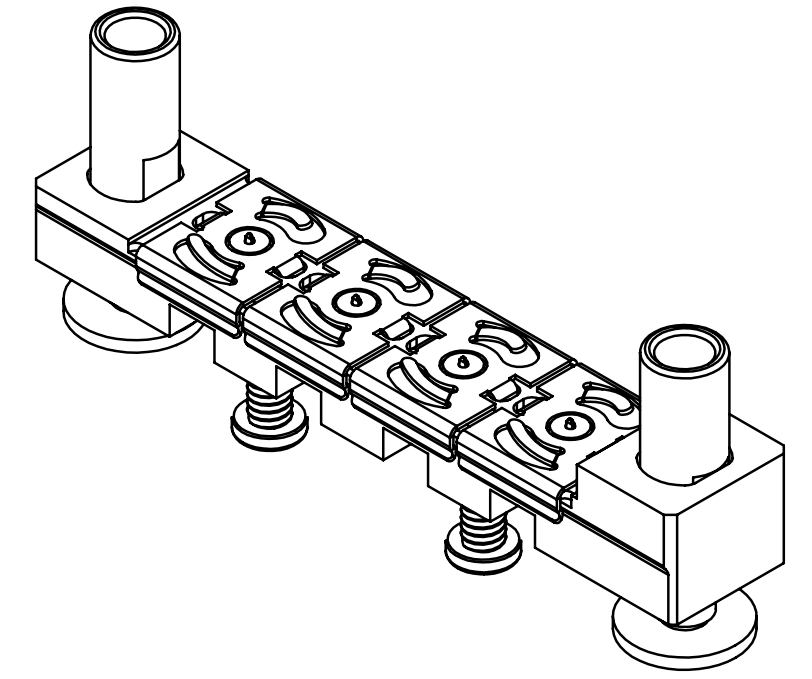
1

4

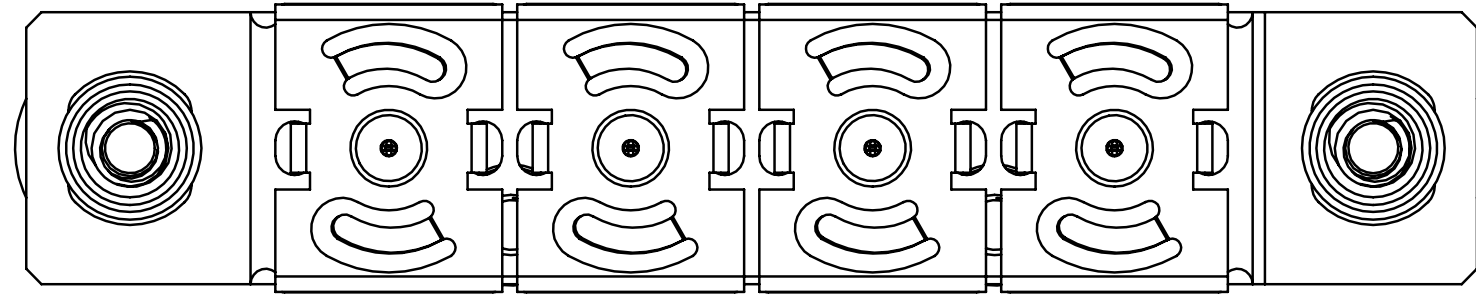
3

2

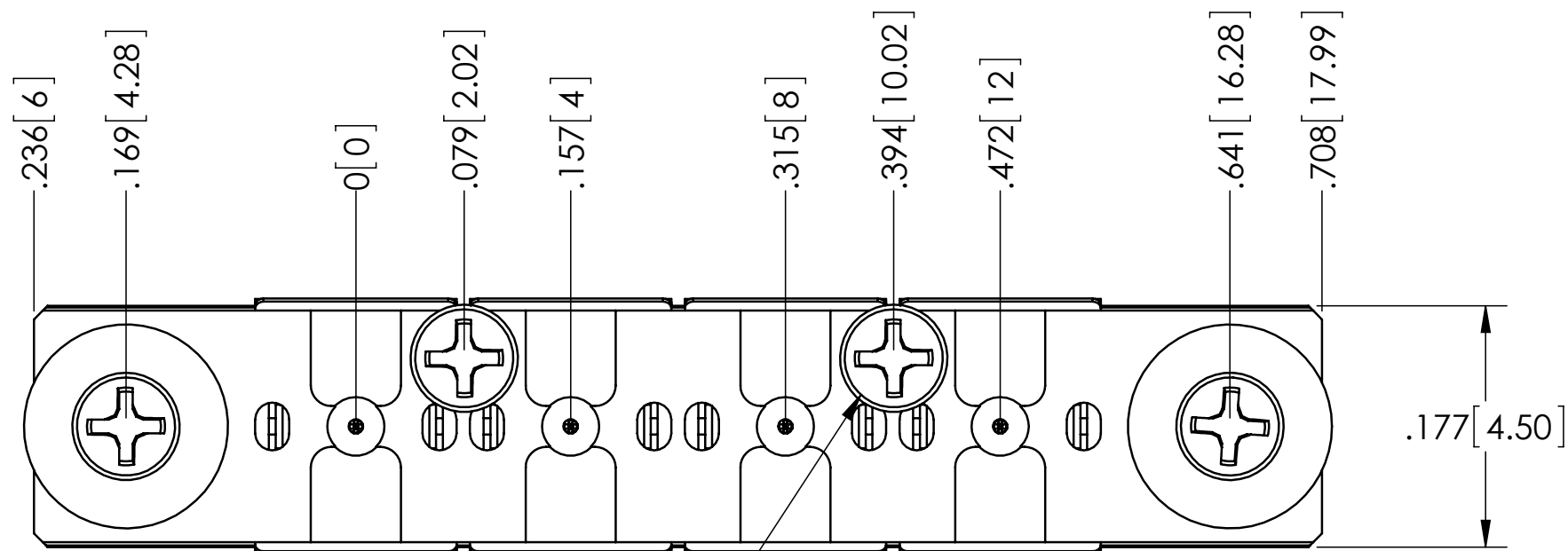
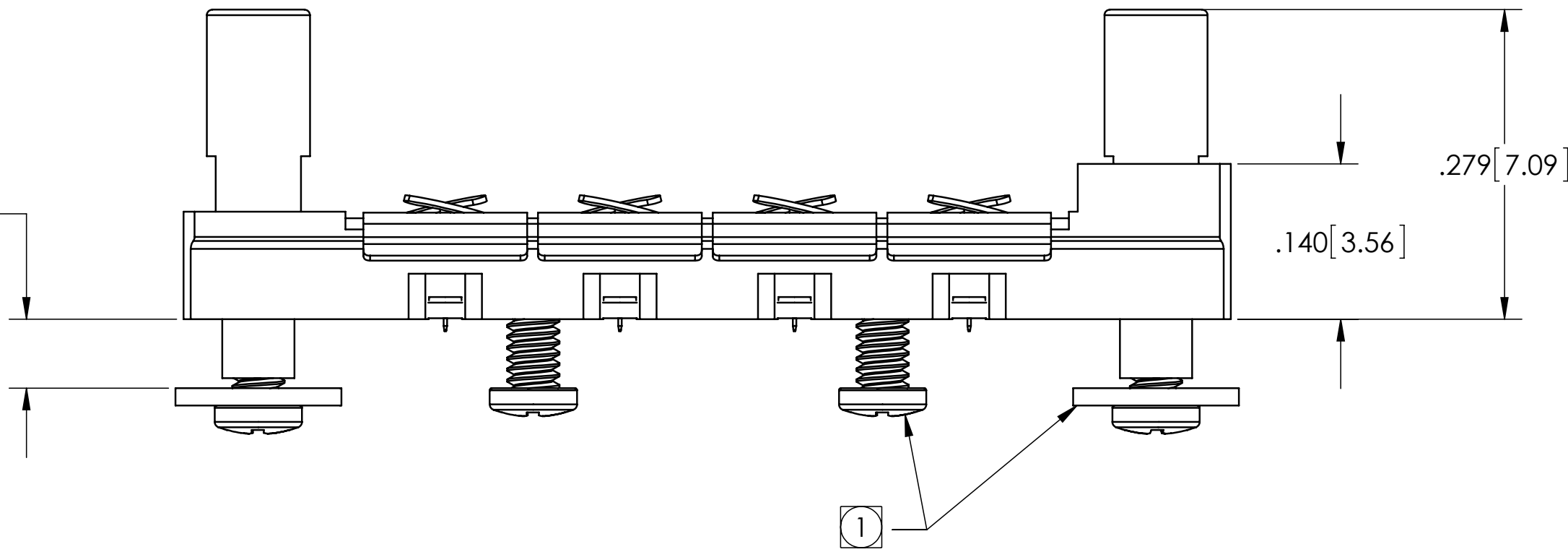
1



4 POSITION



.062 [1.57]
BOARD THICKNESS



4X
SCREW M1.2 X 0.25 X 0.12 LG

SCALE	SUB-DIRECTORY/	SHEET 3 OF 8
6:1	_OUTLINE/	8
SIZE	CAGE CODE	DRAWING NO.
C	30990	CHBSXXVLXX

4

3

2

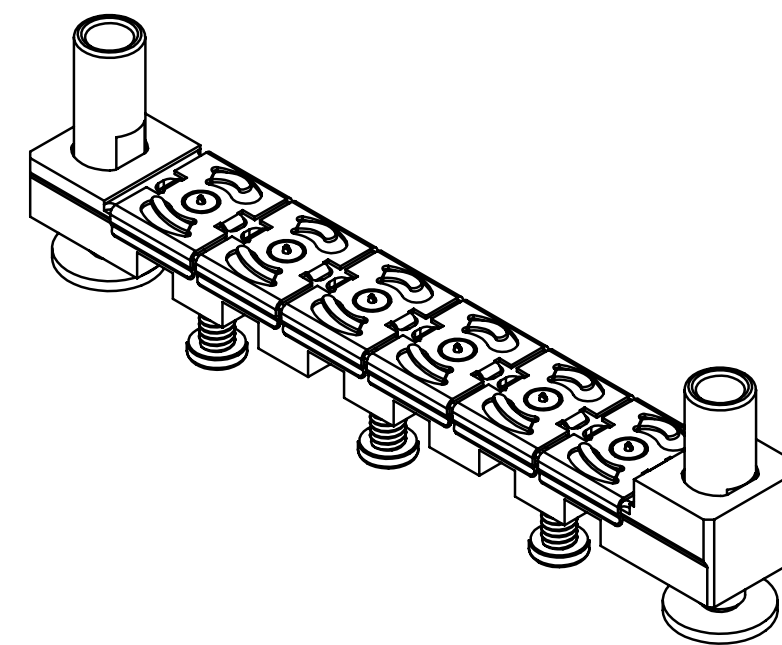
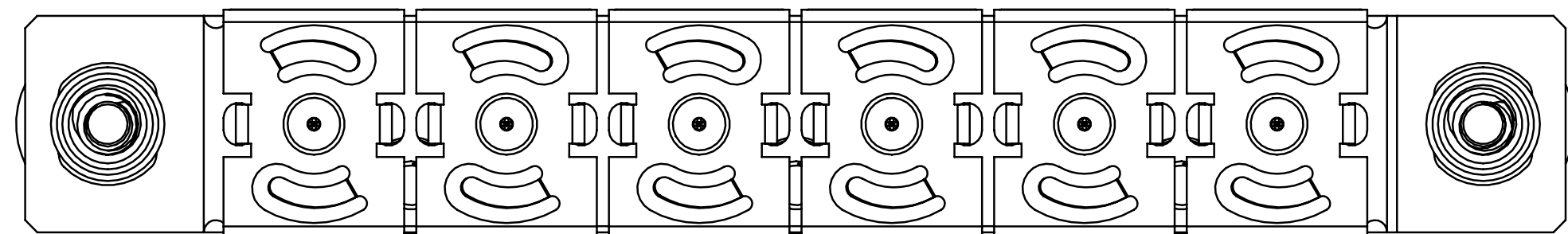
1

4

3

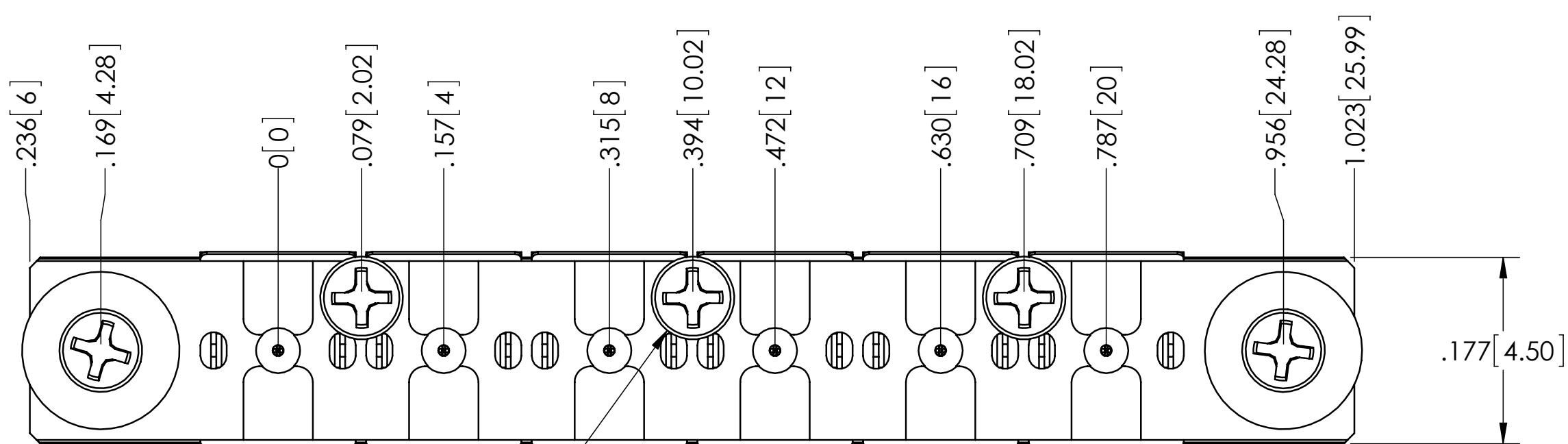
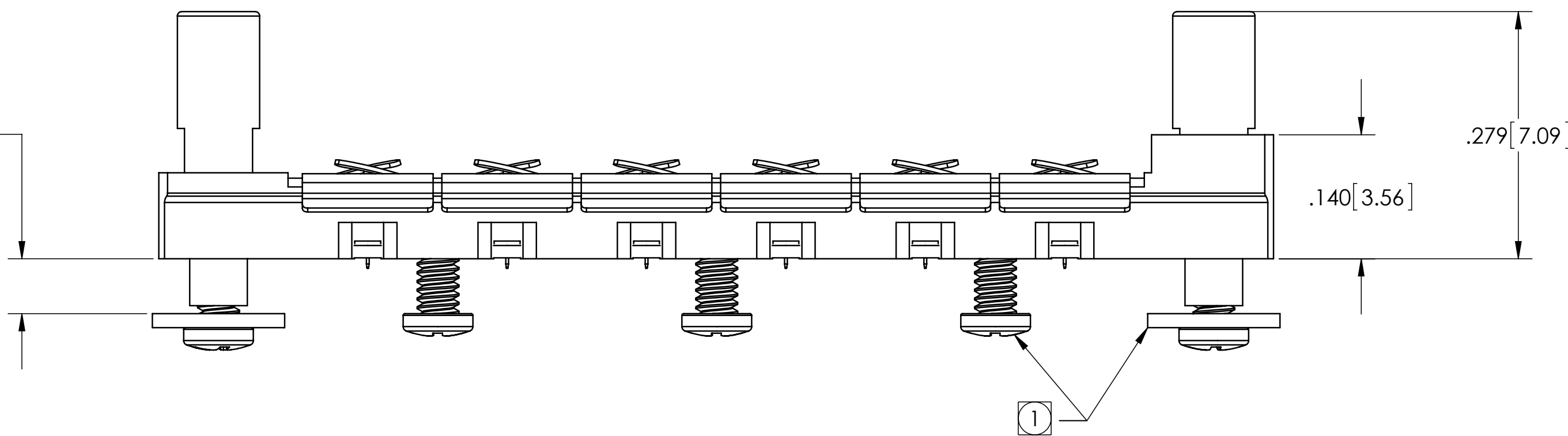
2

1



6 POSITION

.062 [1.57]
BOARD THICKNESS



5X
SCREW M1.2 X 0.25 X 0.12 LG

SCALE	SUB-DIRECTORY/	SHEET 4 OF	8
6:1	_OUTLINE/		
SIZE	CAGE CODE	DRAWING NO.	REV.
C	30990	CHBSXXVLXX	C

4

3

2

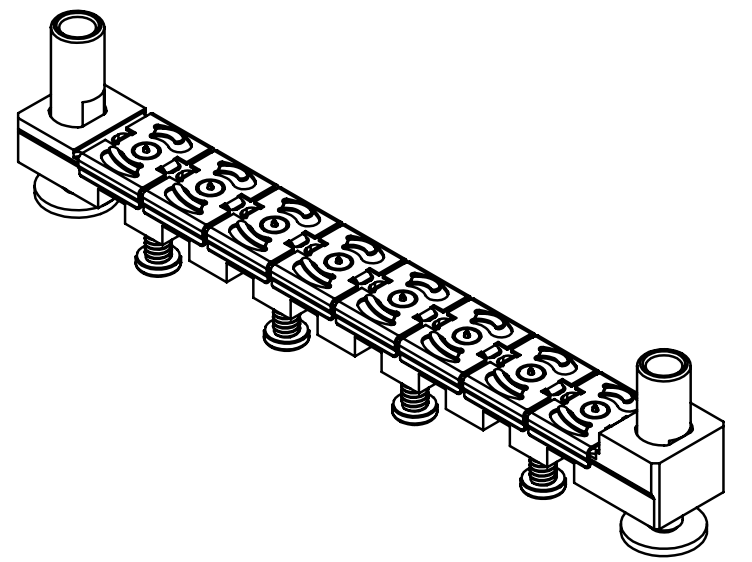
1

4

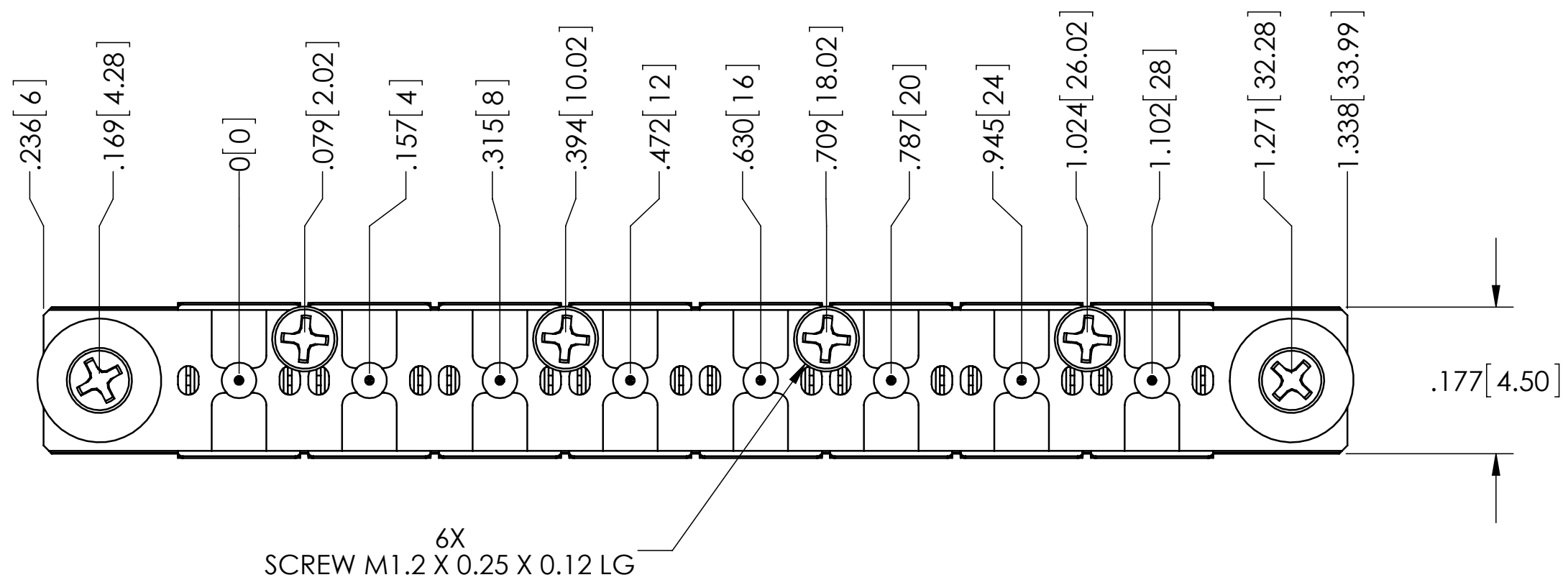
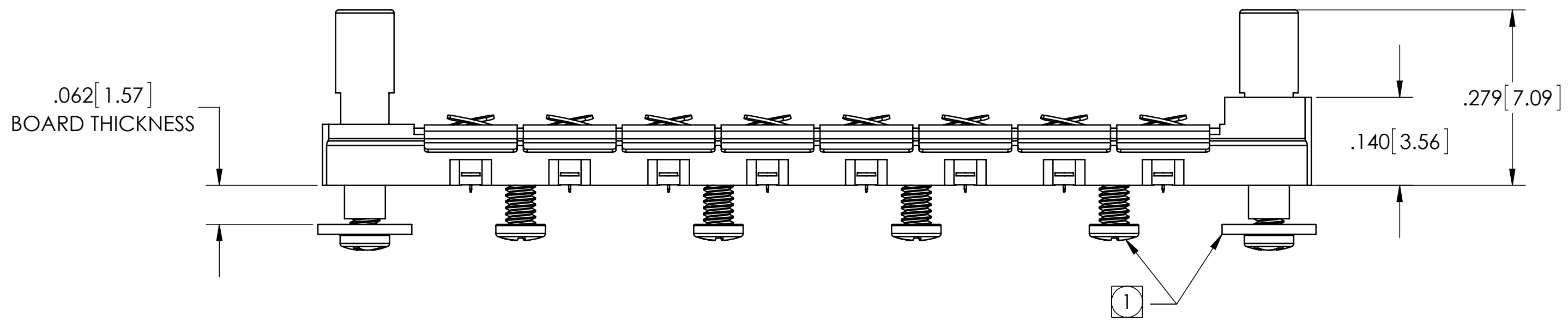
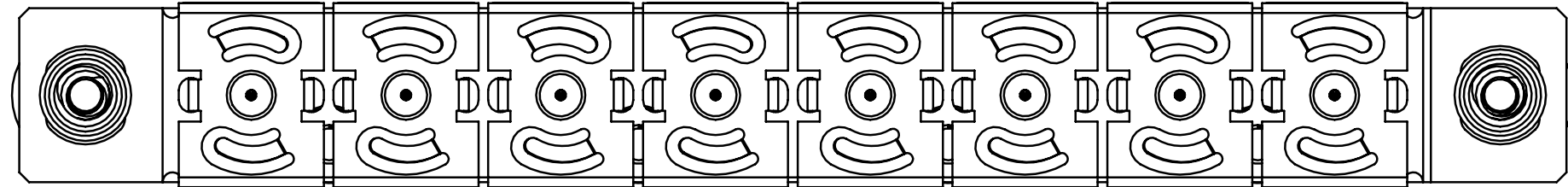
3

2

1



8 POSITION



SCALE	SUB-DIRECTORY/	SHEET 5 OF 8
6:1	_OUTLINE/	8
SIZE	CAGE CODE	DRAWING NO.
C	30990	CHBSXXVLXX
REV.		C

4

3

2

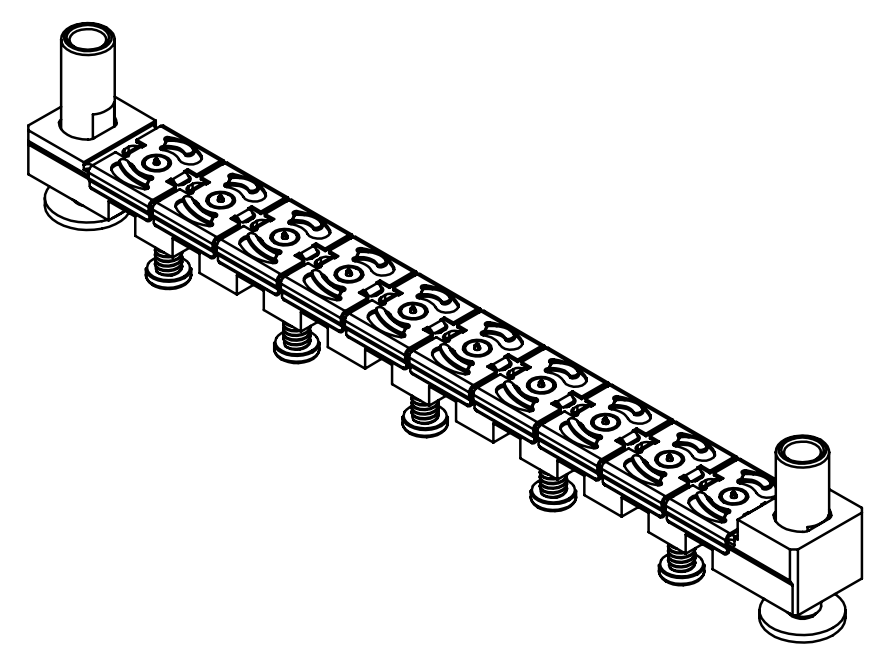
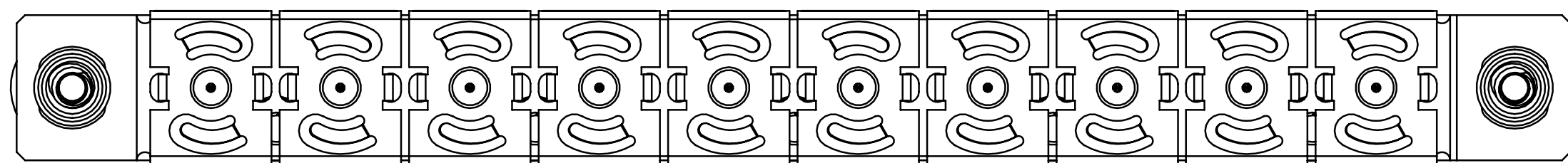
1

4

3

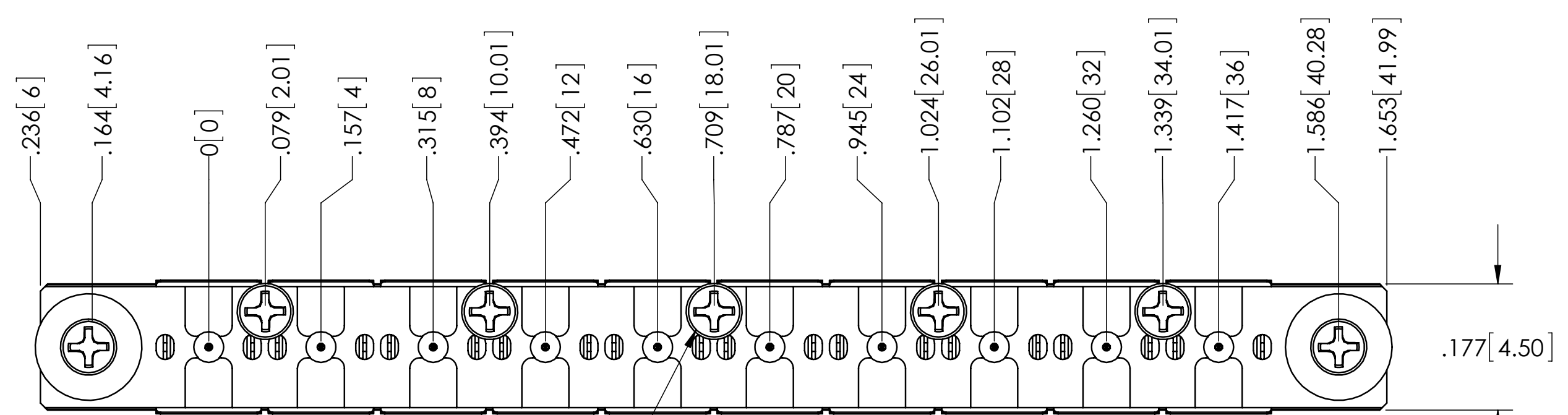
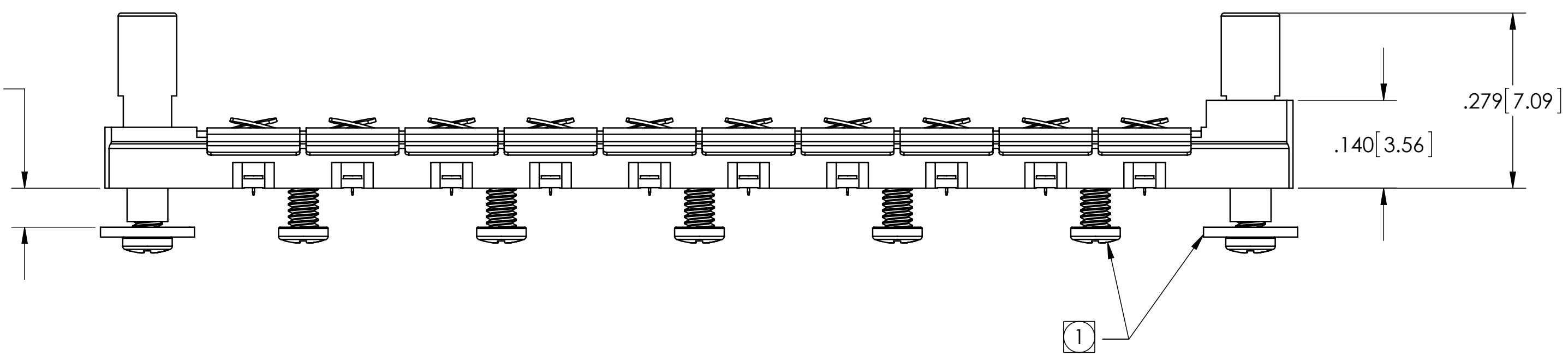
2

1



10 POSITION

.062 [1.57]
BOARD THICKNESS



7X
SCREW M1.2 X 0.25 X 0.12 LG

SCALE	SUB-DIRECTORY/	SHEET 6 OF	8
6:1	_OUTLINE/		
SIZE	CAGE CODE	DRAWING NO.	REV.
C	30990	CHBSXXVLXX	C

4

3

2

1

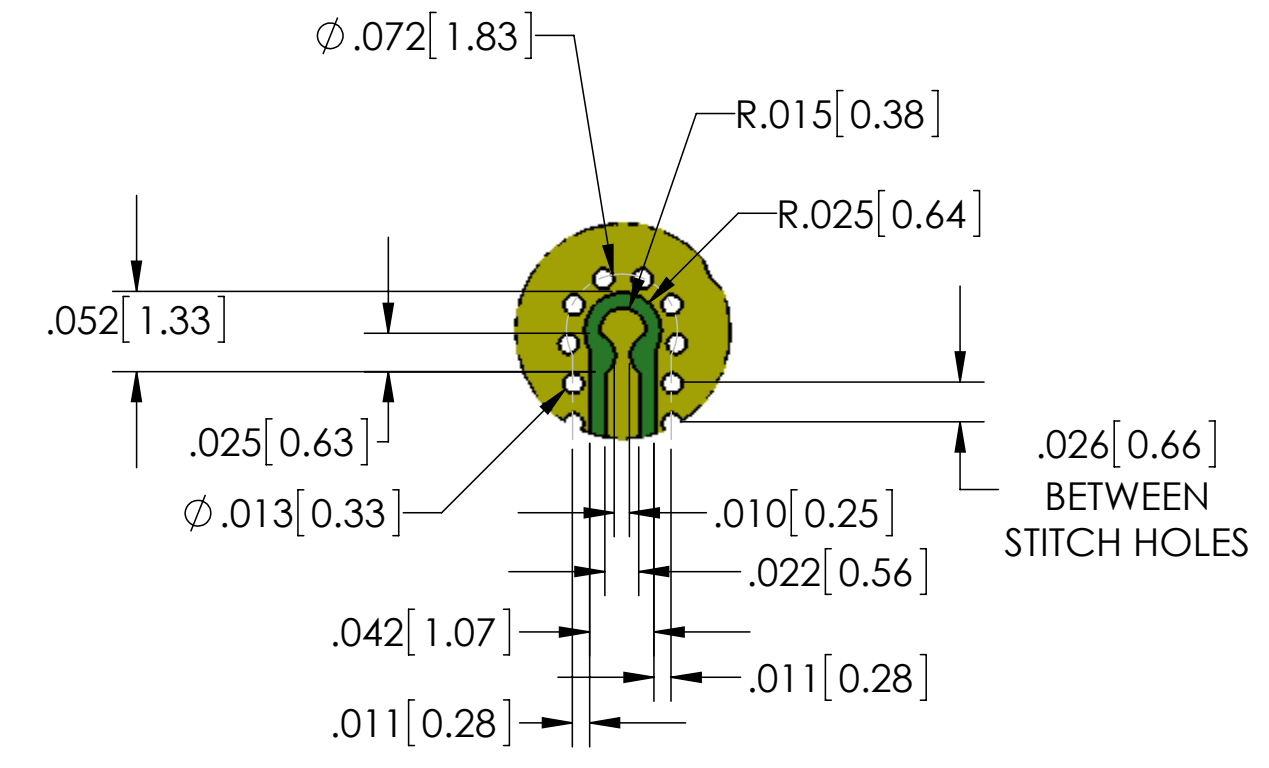
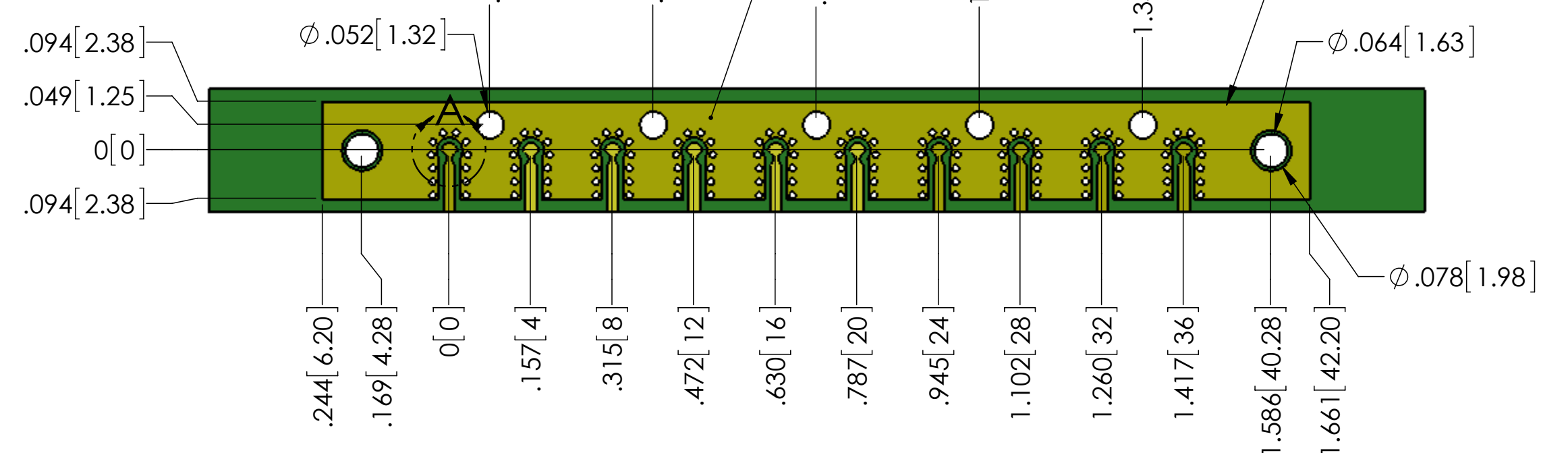
4

3

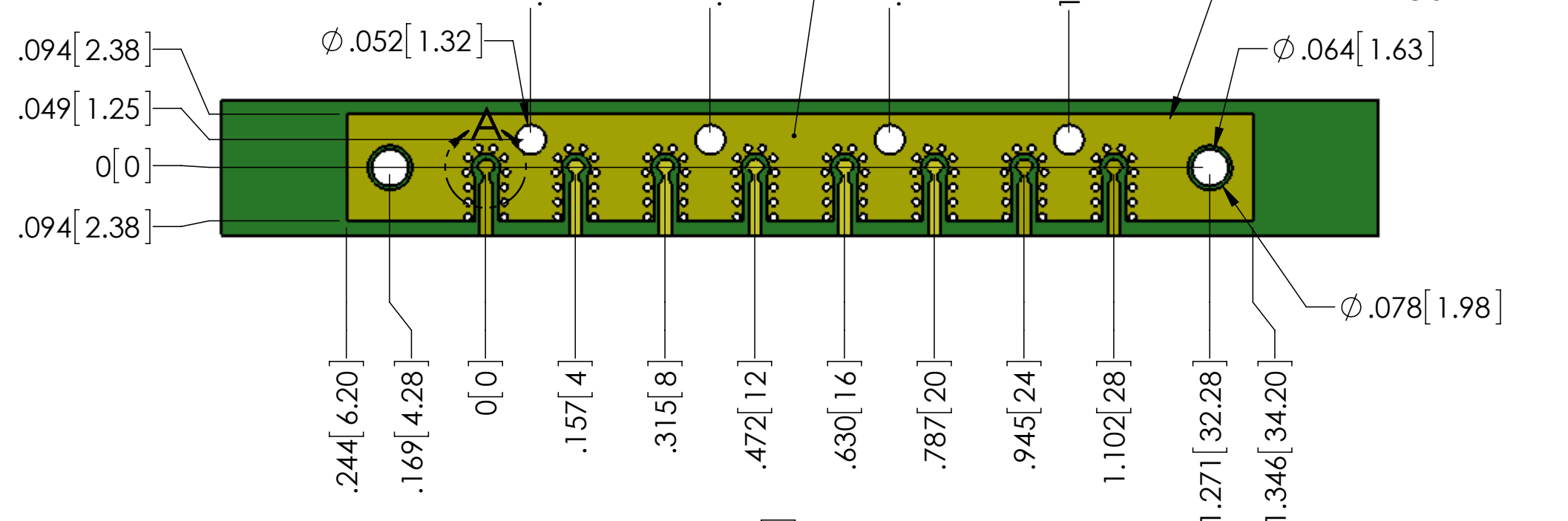
2

1

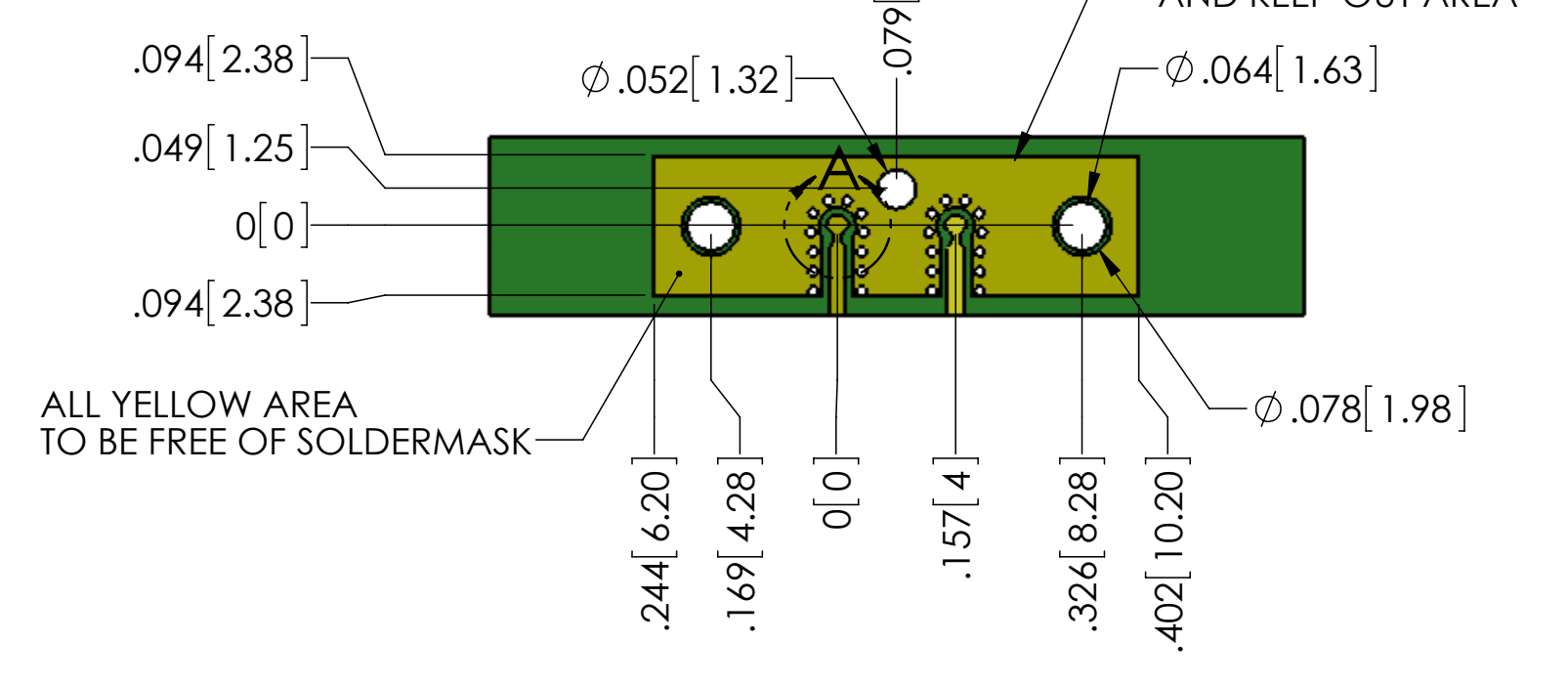
10 POSITION



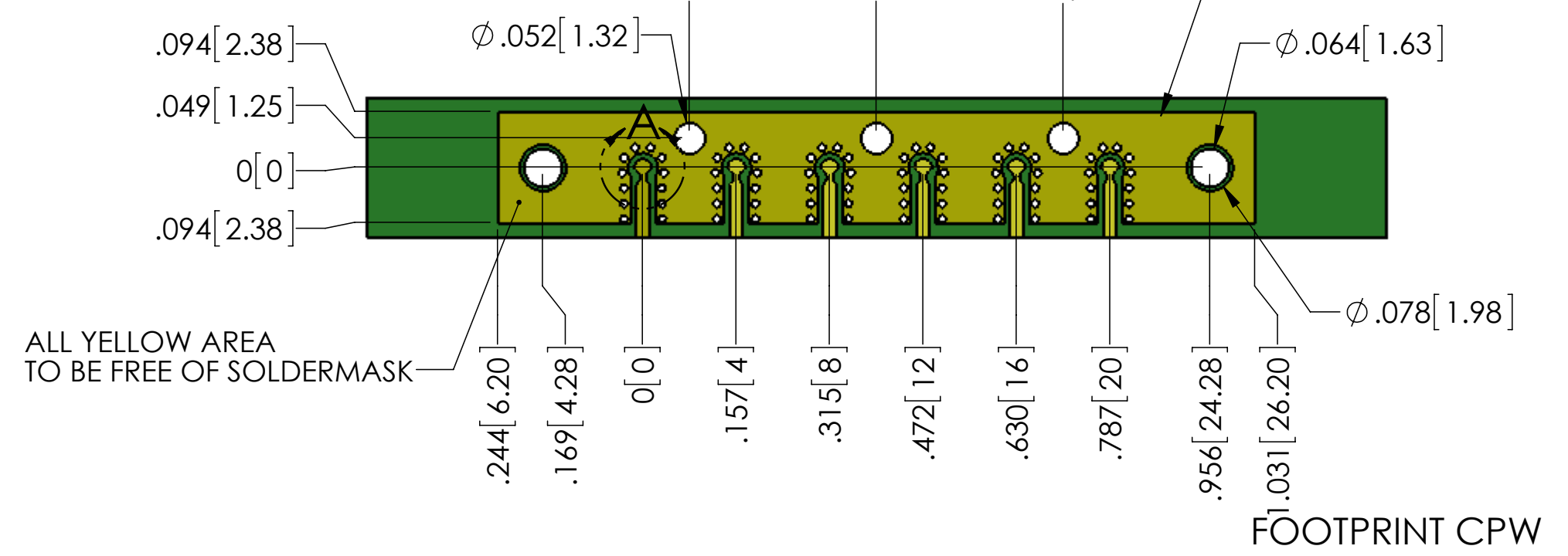
8 POSITION



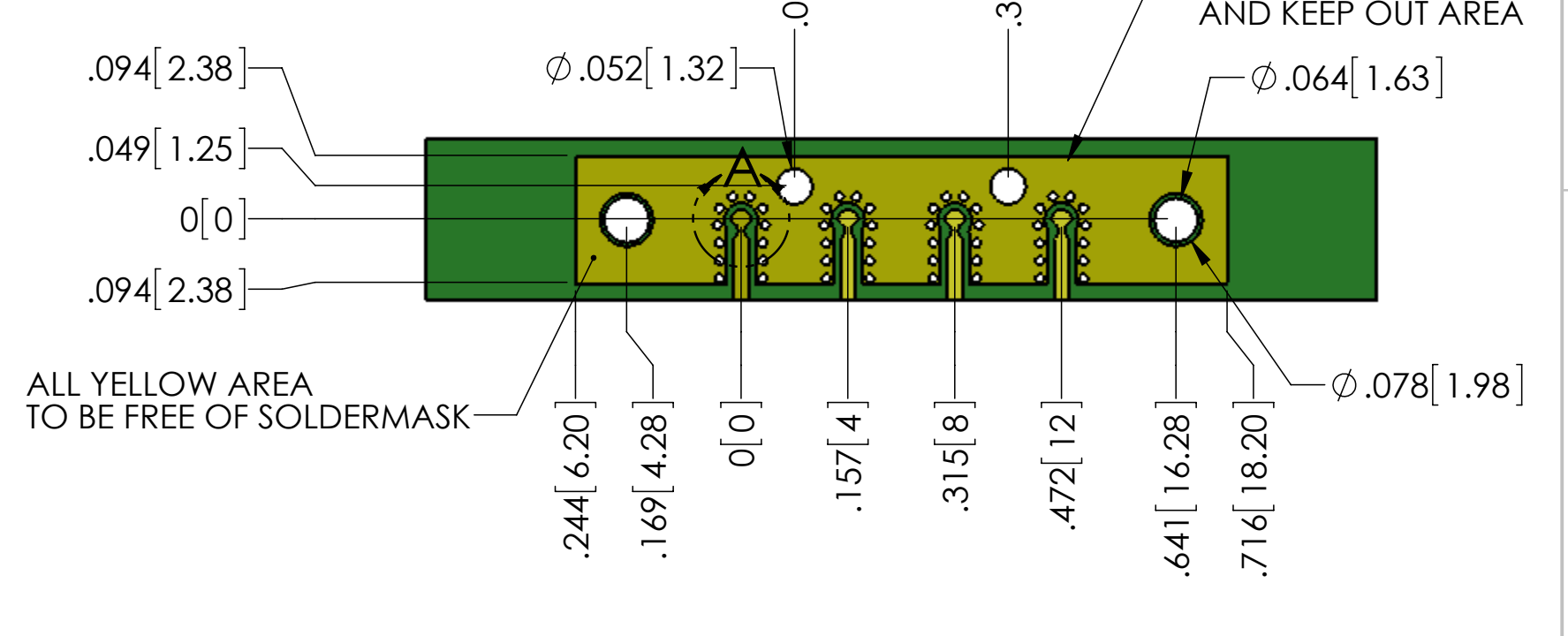
2 POSITION



6 POSITION



4 POSITION



FOOTPRINT CPW

SCALE	SUB-DIRECTORY/	SHEET 7 OF 8
4:1	_OUTLINE/	
SIZE	CAGE CODE	DRAWING NO.
C	30990	OL_CHBSXXVLXX
REV.		C

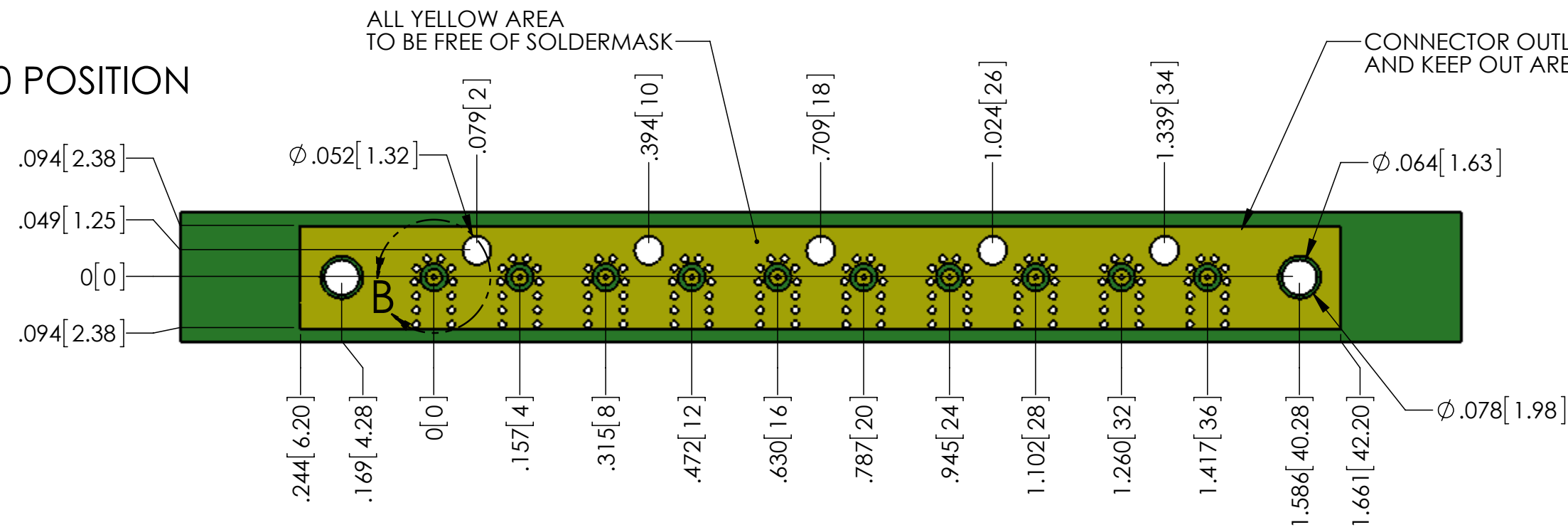
4

3

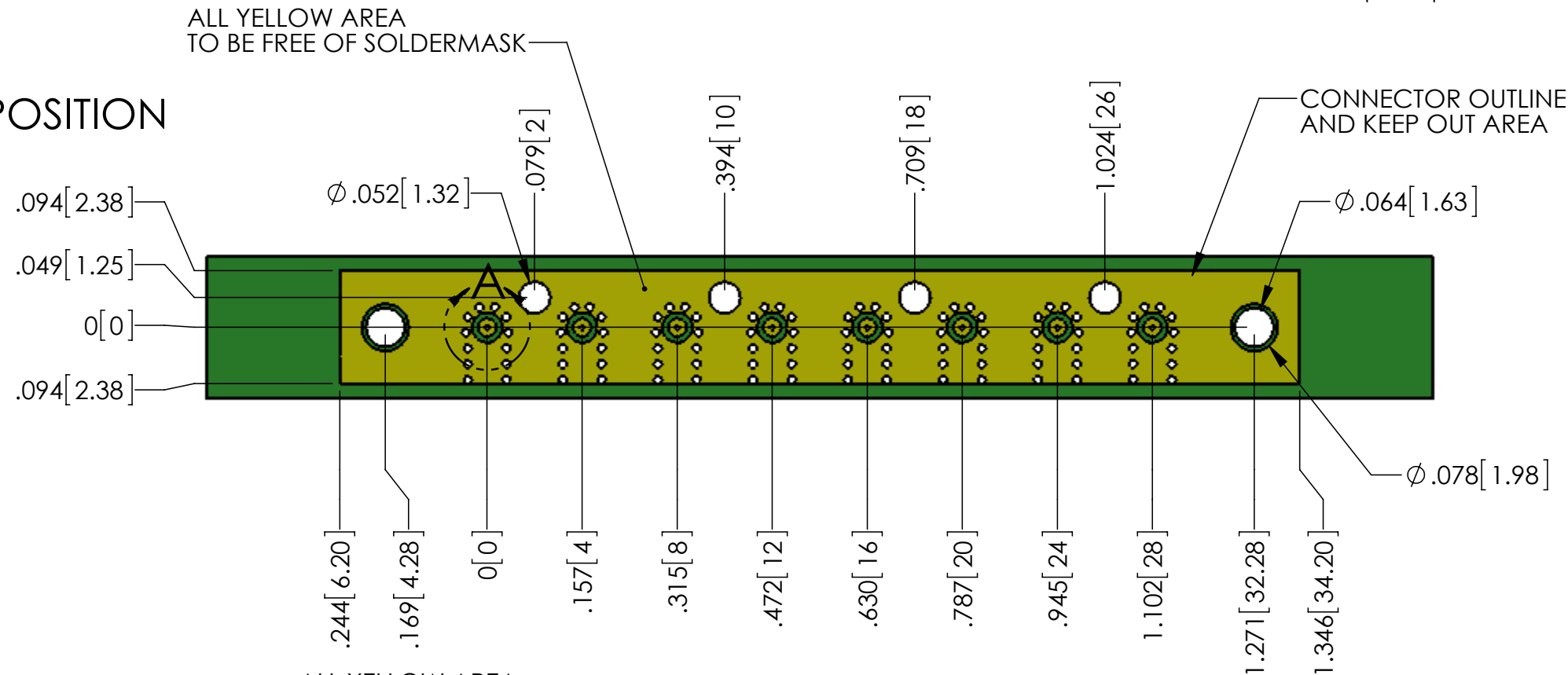
2

1

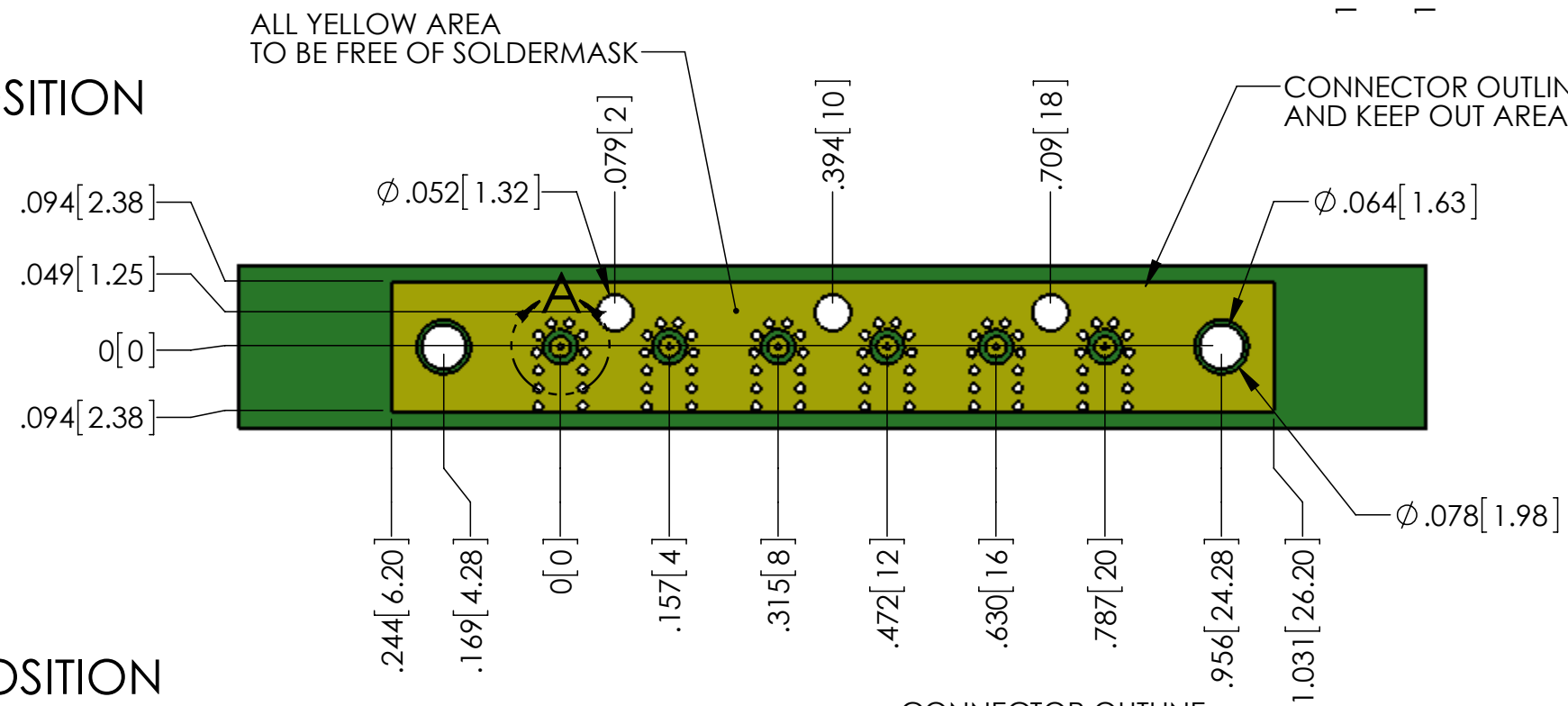
10 POSITION



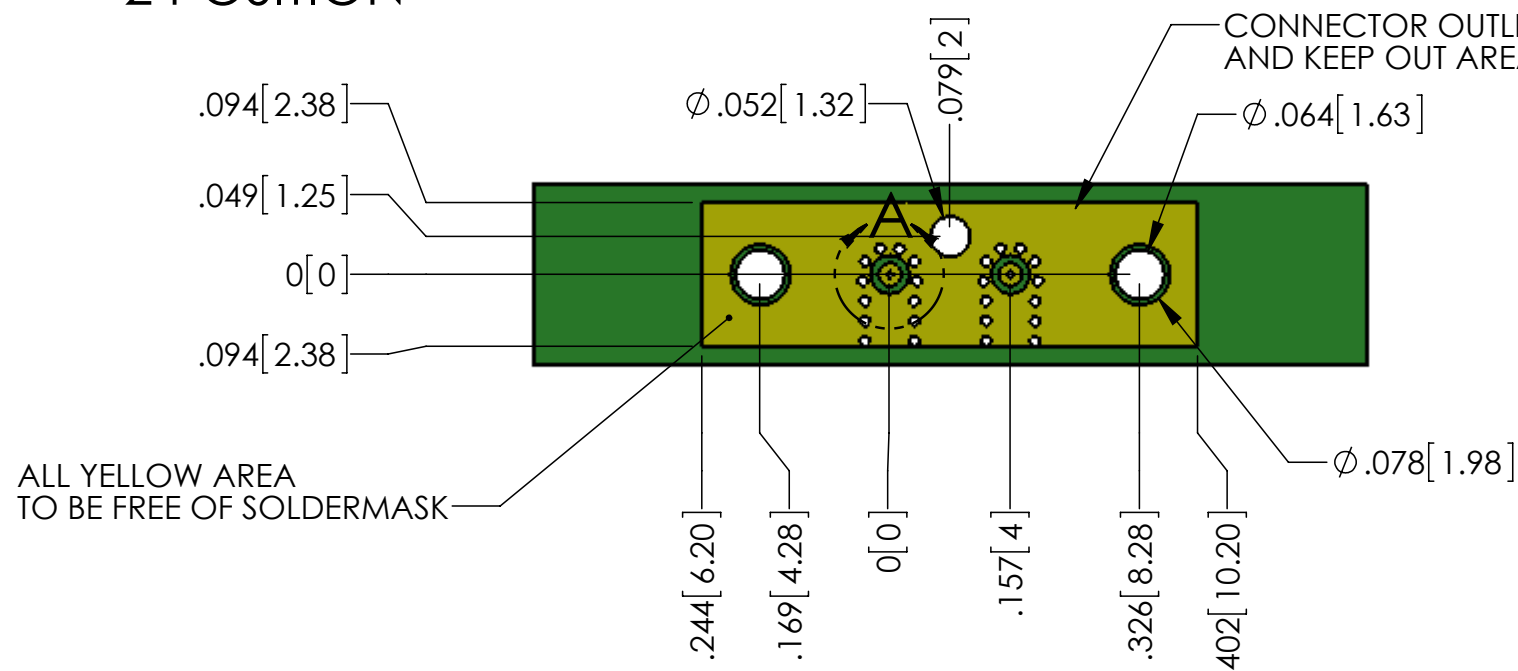
8 POSITION



6 POSITION

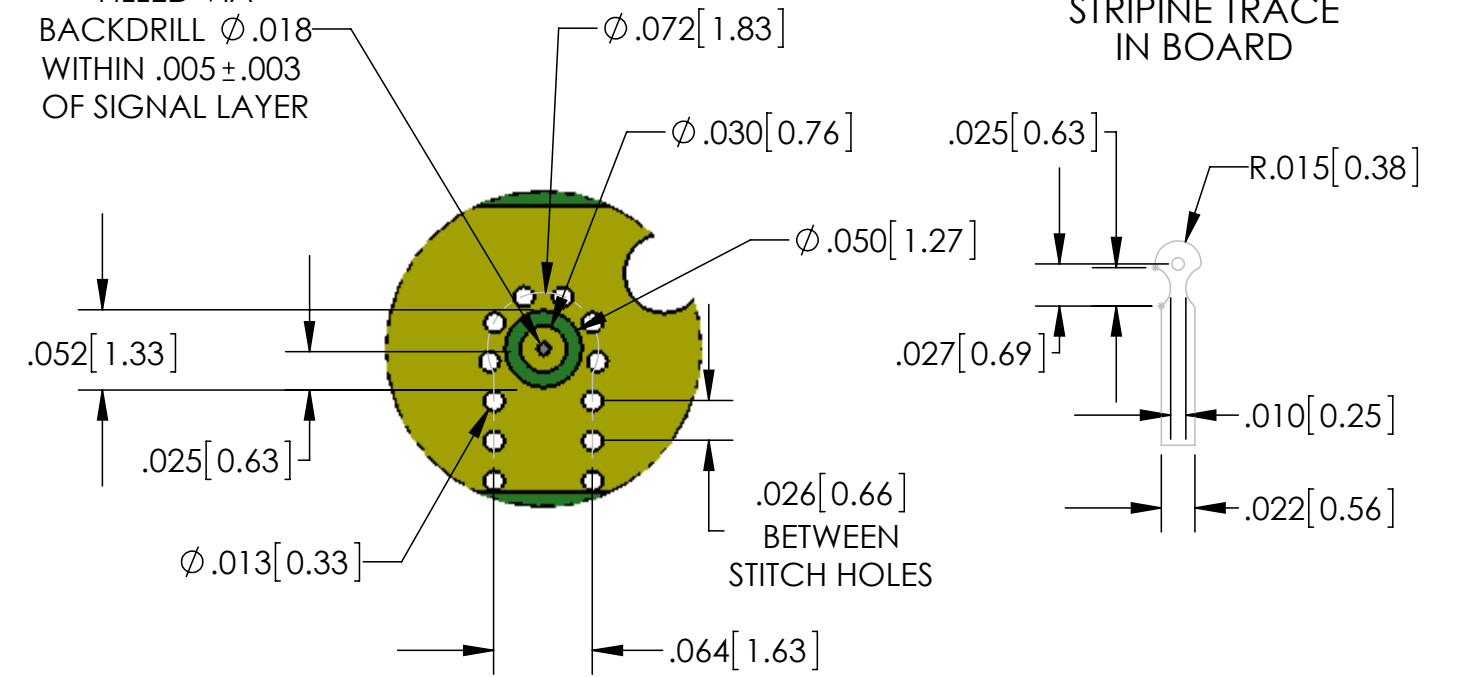


2 POSITION

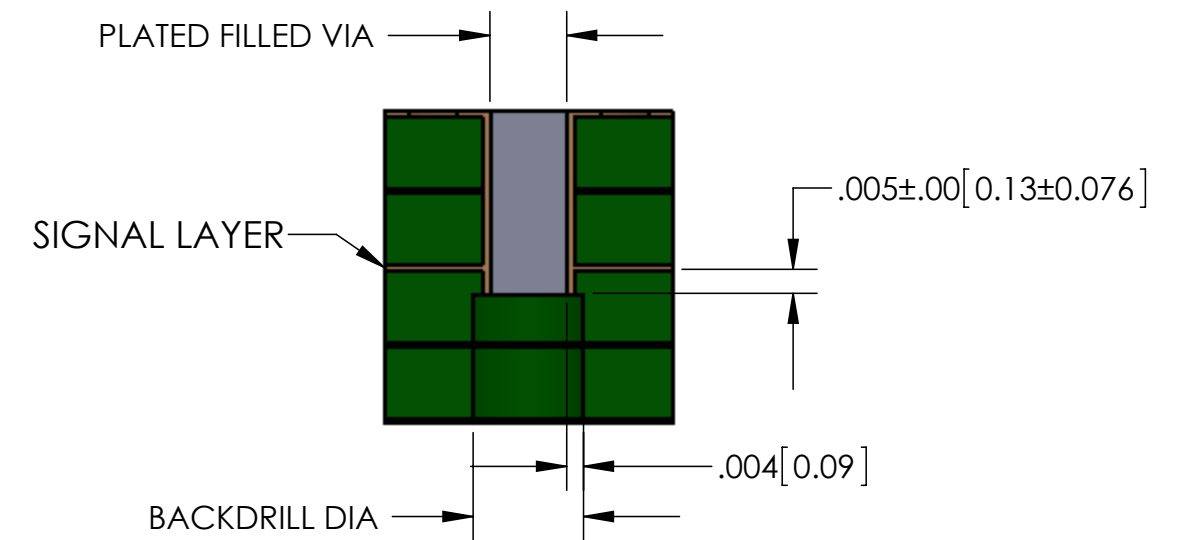


FOOTPRINT STRIPLINE

Φ.008[0.20] MAX
FILLED VIA
BACKDRILL Φ.018
WITHIN .005±.003
OF SIGNAL LAYER

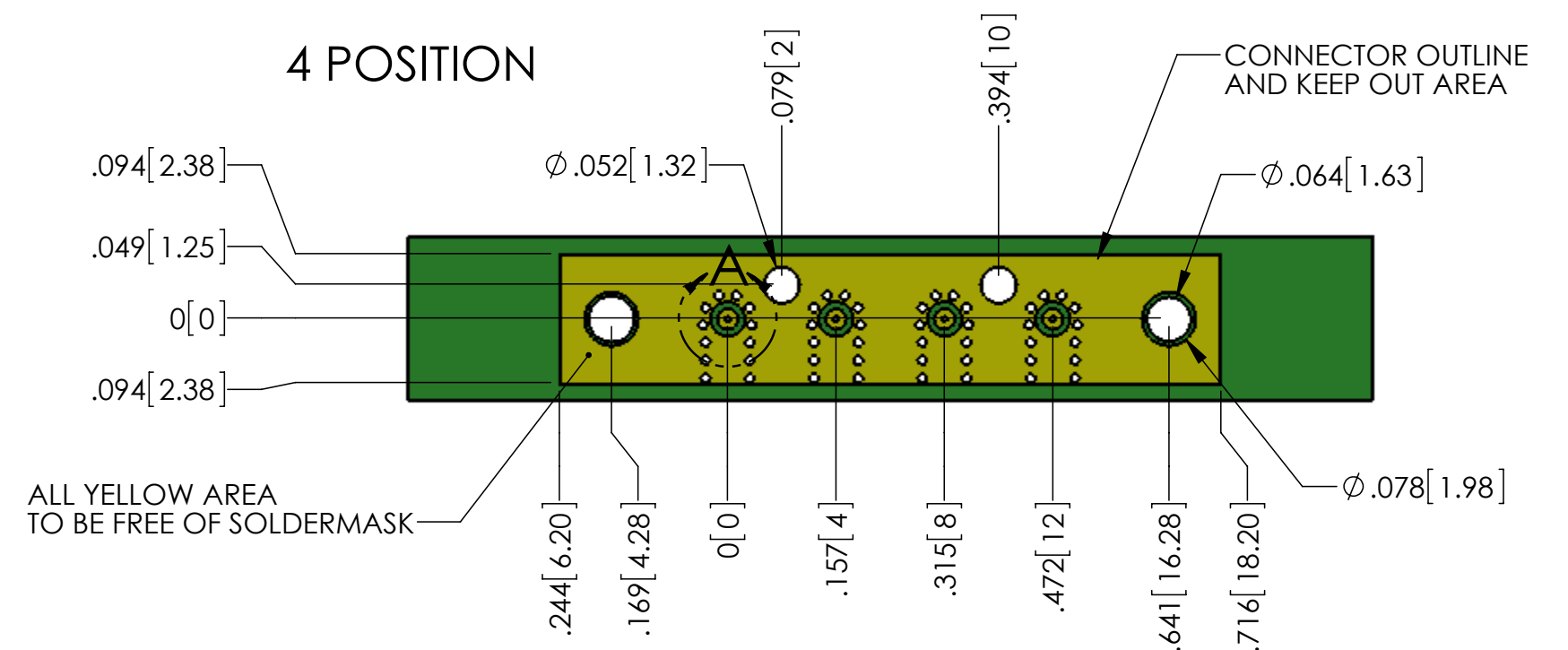


DETAIL B
SCALE 8 : 1



BACKDRILL DETAIL

4 POSITION



SCALE	SUB-DIRECTORY/	SHEET 8 OF	8
4:1	_OUTLINE/		
SIZE	CAGE CODE	DRAWING NO.	REV.
C	30990	OL_CHBSXXVLXX	C